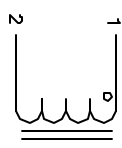


The information contained in this drawing is the sole property of CWS Coil Winding Specialist. Any reproduction in part or whole without written permission of CWS Coil Winding Specialist is prohibited.

REVISION HISTORY			
REV	ECN	DESCRIPTION	DATE
A		PRODUCTION RELEASE	2/9/04



SCHEMATIC

- 6 USING A PERMANENT MARKING METHOD  
 MARK PART NUMBER AND REVISION, IF APPLICABLE  
 IF NEEDED, WRAP INDUCTOR WITH GLASS TAPE  
 TO THE CORE  
 MUST REST FLAT ON PCB. LEADS MUST BE TANGENT  
 FLUSH WITH THE COIL EDGE. AS SHOWN (I.E. COIL  
 REMOVE INSULATION AND TIN LEADS 0.5 INCH

- 5 WIND COILS EVENLY SPACED AROUND THE CORE  
 CONSTRUCTION:

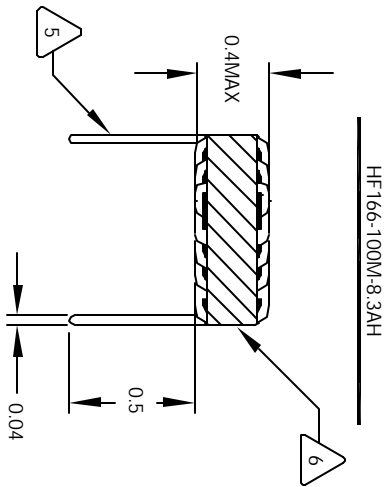
- 4 HI-POT TEST FOR WINDING TO CORE ISOLATION = 500VDC MIN  
 CURRENT RATING : 8.3 AMPS, 40 °C TEMP. RISE, NO AIR FLOW  
 DCR = 10 MILLI-OHMS MAX.  
 DC BIASED = 8.3 AMPS, INDUCTANCE = 9 UH  
 DC BIASED = 14 AMPS, INDUCTANCE = 8 UH  
 INDUCTANCE = 10 UH +10% @ LOW DC BIAS, 1 KHz, 250mv

- 3 SPECIFICATIONS:

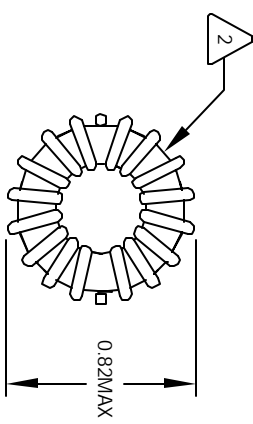
- 2 WIRE: UL RECOGNIZED 200°C RATED MAGNET WIRE  
 CWS BYTE-MARK OR OTHER APPROVED PART  
 CORE: COATED HIGH FLUX TOROIDAL CORE

- 1 RATING CLASS B (130°C MIN.) REQUIRED  
 MATERIAL: UL RECOGNIZED 94V-0 FOR FLAMMABILITY

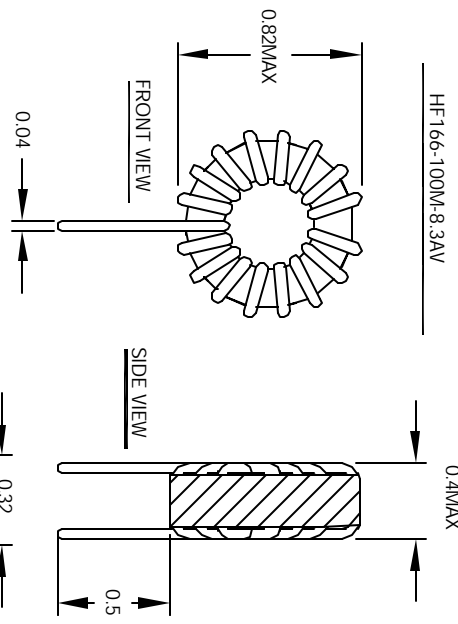
NOTES: TOROIDAL POWER CHOKE. ALL DIMENSIONS IN INCHES



FRONT VIEW

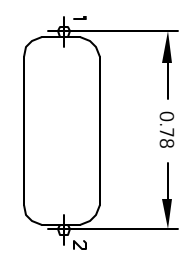


BOTTOM VIEW

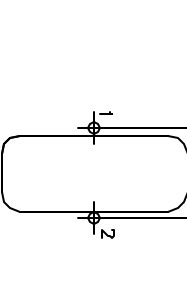


FRONT VIEW

SIDE VIEW



MOUNTING HOLES PATTERN



MOUNTING HOLES PATTERN

CODE IDENT	MFG. P/N	DESCRIPTION	ITEM NO.
		<b>PARTS LIST</b>	
AUTOCAD	X		
SOLIDWORKS			
SIGN	DATE		
DRAWN	TKK	2/8/04	
CHKD	JLJU	2/9/04	
ENGR	KSUM	3/6/04	
APPR.	JLJU	3/6/04	
TITLE:		Toroidal Power Chokes	
SIZE		HF166-100M-8.3A	
SCALE		2=1	
DRAWN		REV B	
DATE		DATE	
CHECKED		DATE	
APPROVED		DATE	